

Simplicity Bubblers Chilled Beverage Dispensers 1x18 L, agitator model with locking lid

ITEM # _____

MODEL # _____

NAME # _____

SIS # _____

AIA # _____



CCCRKV (ECSID22)

Chilled Beverage Dispenser
with 1x18 liter bowl with
agitator and locking lid,
R290

Short Form Specification

Item No. _____

Chilled beverage dispenser, 1x18lt, with agitation function for fresh juices, coffees, or teas with minimal foaming system. 18lt easy-clean bowl with 23cm cup clearance. Easy-off bowl release system for faster and easier assembly and disassembly. Bowls with locking lid for added safety against tampering.

Temperature range from 1.7 - 5° C. Pre-mix dispenser with stainless steel base and clear plastic bowls. Compact size of 27 cm.

Main Features

- Agitation function for fresh juices, coffees, or teas with minimal foaming system.
- Easy-off bowl release system for faster and easier assembly and disassembly.
- User friendly design enables machine to dispense product till the very last drop.
- Dispense 18 L in easy-clean bowl with 23 cm cup clearance.

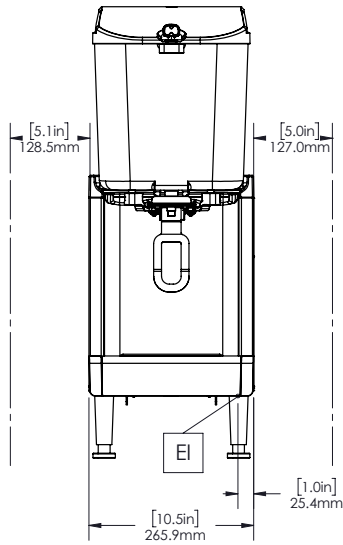
Construction

- Pre-mix dispenser with stainless steel base and clear plastic bowls.
- Compact size of 27 cm wide saves valuable counter space.
- Fewer removable parts to simplify cleaning and reduce maintenance.
- Temperature range from 1.7 - 5° C.
- The air intakes from the bottom and exhaust to back.
- Locking lid for added safety against tampering.
- Refrigerant type: R290.

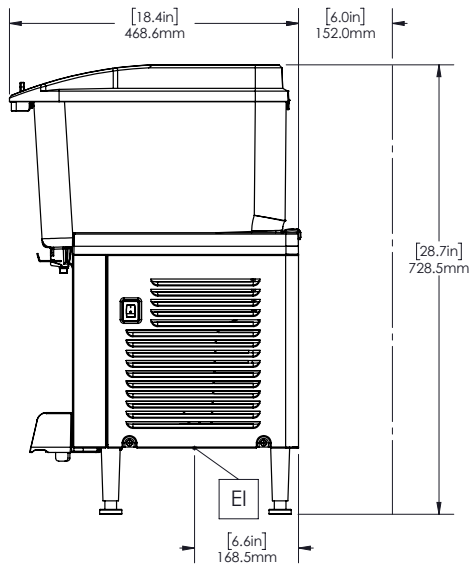
APPROVAL: _____

Simplicity Bubblers Chilled Beverage Dispensers 1x18 L, agitator model with locking lid

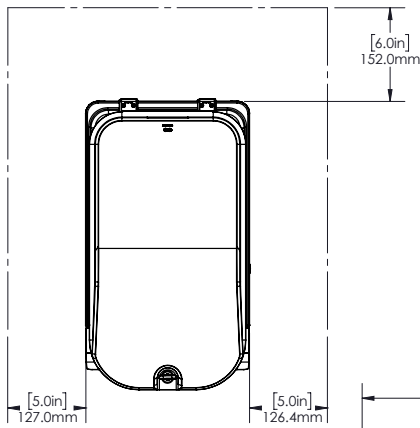
Front



Side



Top



Electric

Supply voltage:

CCCRKV (ECS1D22) 220-240 V/1N ph/50/60 Hz

Electrical power max.:

0.4 kW

Key Information:

External dimensions, Width:	267 mm
External dimensions, Depth:	451 mm
External dimensions, Height:	729 mm
Net weight:	ISO 9001; ISO 14001 kg
Shipping weight:	24 kg
Shipping height:	528 mm
Shipping width:	381 mm
Shipping depth:	480 mm

Sustainability

Refrigerant type:	R290
Refrigerant weight:	50 g